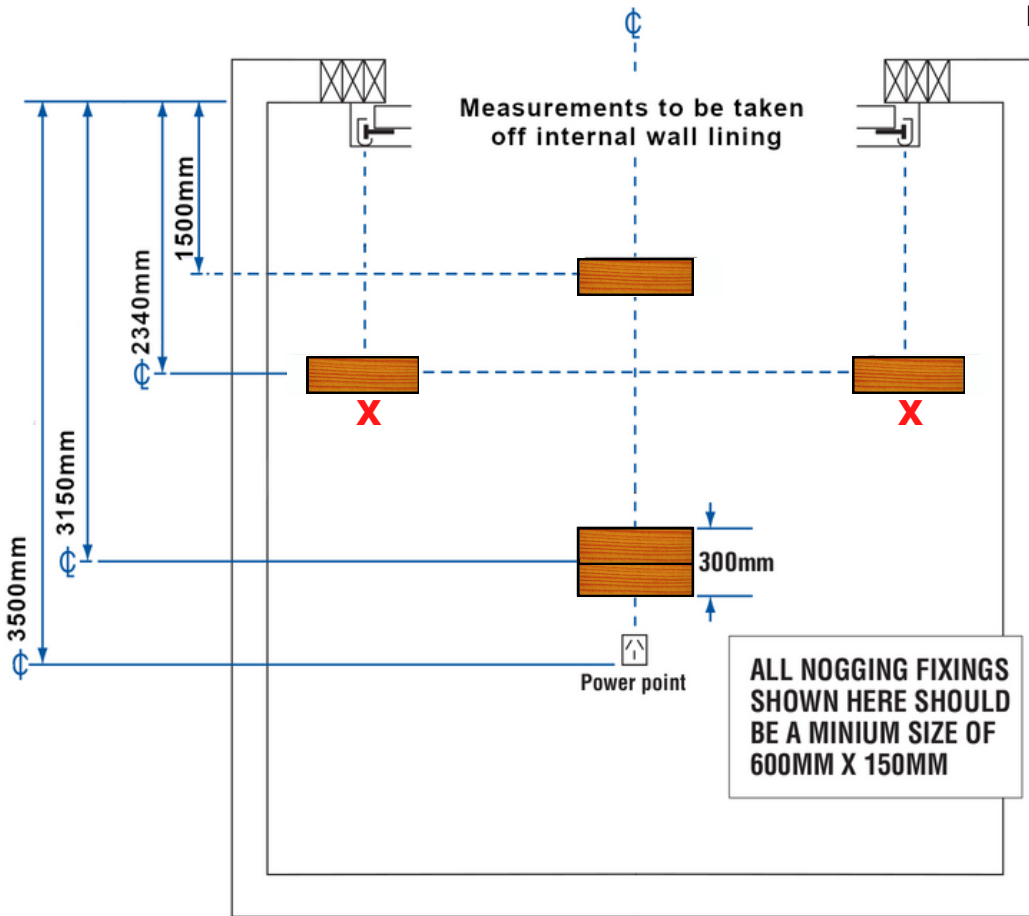


Please contact us for alternative motor requirements

Refer to Quote for Weight Estimate or get in touch



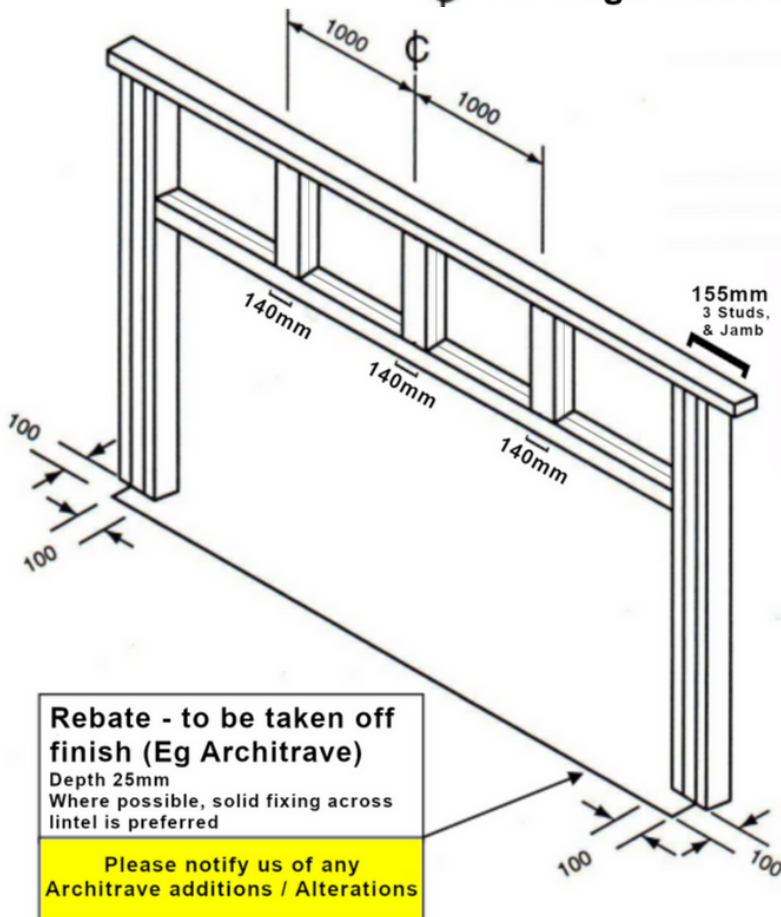
NOTE: Doors over 150kg require extra track fixings for **X** at 1170mm
Please consult your Rep for doors over 6000w or 180kg

ALL DOORS OVER 200KG SHOULD BE CHECKED WITH YOUR STRUCTURAL ENGINEER TO ENSURE ADEQUATE STRENGTH

BOOK INSTALL - 09 638 9474

Call us at least 2 weeks before the requested installation date to book install.

All Nogs must be centred



To avoid a non-install charge (\$175+GST+Travel*) please ensure;

- 1) Lining on ceiling walls are complete
- 2) Garage is clear 4m back from the door
- 3) Clear access on garage driveway
- 4) Access to powder supply in garage
- 5) All nogs ready per this sheet
- 6) We need minimum 48 hours to change the install date once booked

Measurements after Gib is installed

	Standard	Low
Headroom	350mm	200mm
Sideroom	155mm	110mm+
Backspace to Motor	Door Height + 900mm	Door Height + 1100mm

If Coving is being used, the headroom is taken from the bottom of the coving

Any questions call your Sales Representative or Prestige Office on 09 638 9474

***\$3 per km over 20km from Prestige Factory (Penrose) POA for Waiheke or outside of Auckland**